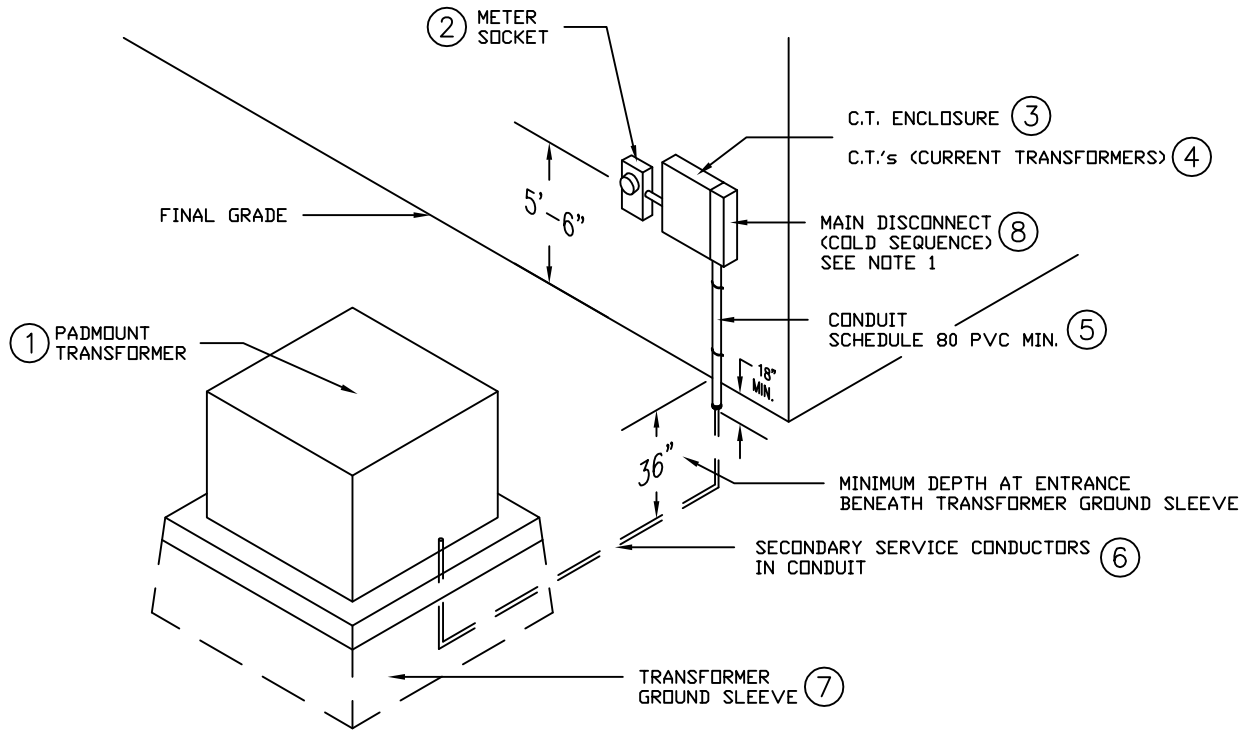


FIGURE 12MCS

NOTES:

1. SEE "GUIDELINES, CONTACTS, FOR COMMERCIAL METERING."
2. MAXIMUM 8 - 1000 MCM CONDUCTORS PER PHASE.



ITEMS 1, 4, 7 FURNISHED AND
INSTALLED BY UNITED POWER
ITEMS 3, 5, 6, 8 FURNISHED
AND INSTALLED BY CUSTOMER
ITEM 2 FURNISHED BY UNITED POWER
AND INSTALLED BY CUSTOMER



UNITED POWER, INC.
P.O. BOX 929 • BRIGHTON, CO. 80601

ENG. APPROVAL: _____
OPER. APPROVAL: _____

DATE: _____
DATE: _____

DWN BY: *ES*
ISSUED BY: *ER*
ISSE DT: _____

C.T. METER INSTALLATION
THREE PHASE
COLD SEQUENCE