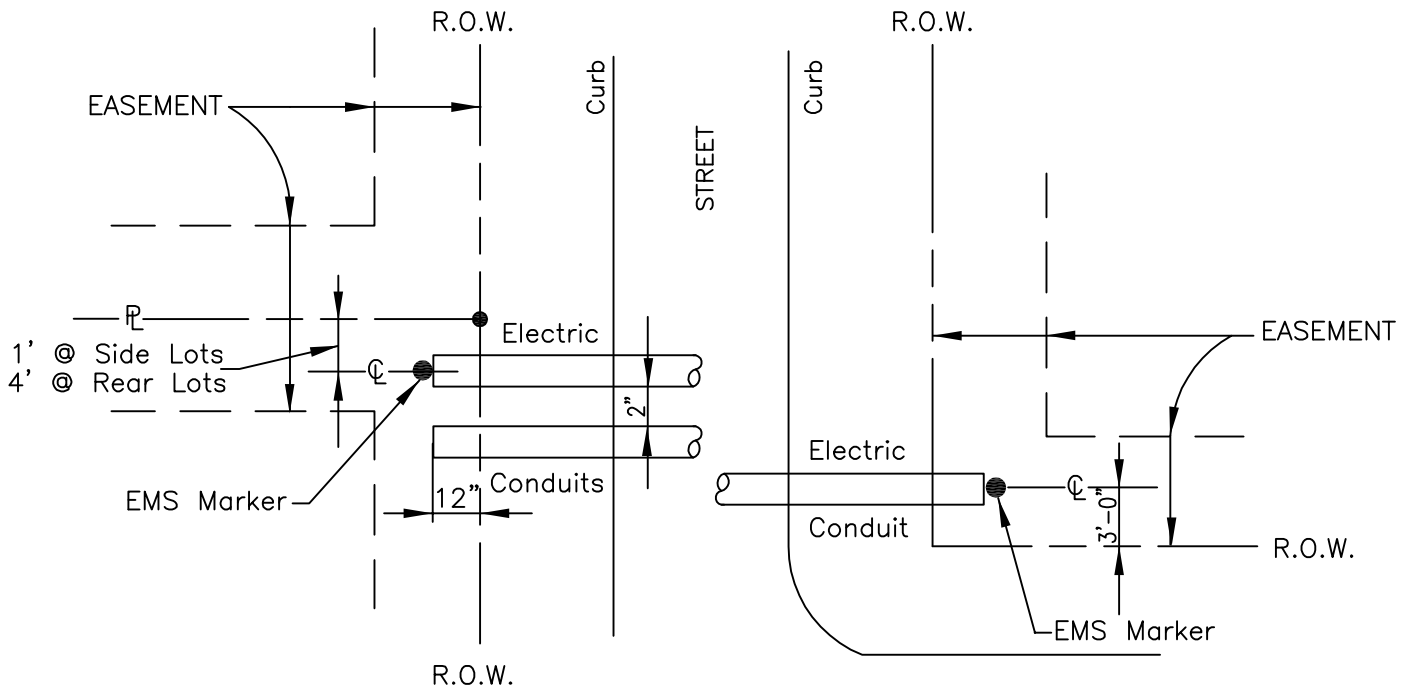
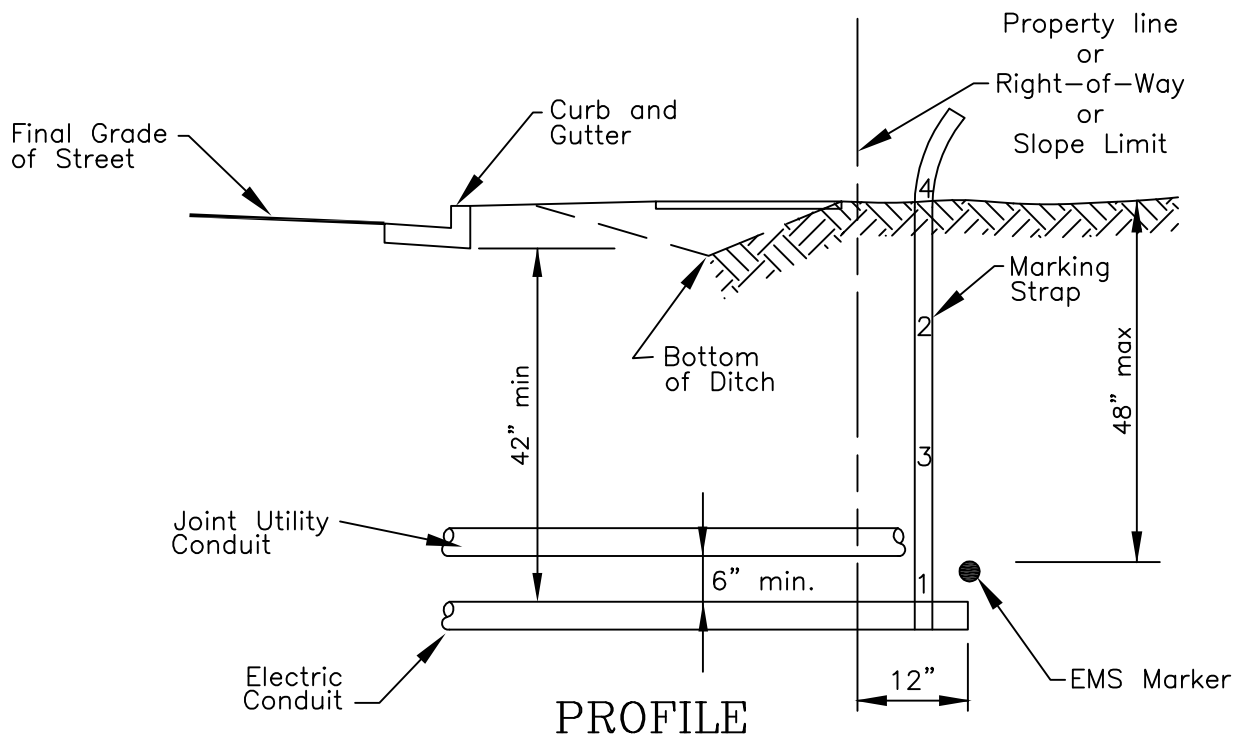


FIGURE 1UC



PLAN
AT PROPERTY CORNER

PLAN
AT INTERSECTION



PROFILE

ISSUED	
APPROVAL	
APPROVAL	
DATE	REVISIONS

UNITED POWER
 UNITED POWER, INC.
 P.O. BOX 929 • BRIGHTON, CO. 80601

ROAD CROSSING
 CONDUIT INSTALLATION